

PARTS LIST

CAUTION

- The parts identified by the Δ symbol are important for the safety . Whenever replacing these parts, be sure to use specified ones to secure the safety .
- The parts not indicated in this Parts List and those which are filled with lines --- in the Parts No. columns will not be supplied .
- P. W. Board Ass'y will not be supplied, but those which are filled with the Parts No. in the Parts No. columns will be supplied .

ABBREVIATIONS OF RESISTORS, CAPACITORS

RESISTOR

RC..... CARBON RESISTOR

CAPACITORS

CC..... CERAMIC CAPACITOR
 CE..... ALUMI ELECTROLYTIC CAPACITOR
 CP..... POLYESTER CAPACITOR
 CPP..... POLYPROPYLENE CAPACITOR
 CPL..... PLASTIC CAPACITOR
 CMP..... METAL POLYESTER CAPACITOR
 CMPL..... METAL PLASTIC CAPACITOR
 CMPP..... METAL POLYPROPYLENE CAPACITOR

CONTENTS

■ USING P.W. BOARD	32
■ MECHANICAL REPLACEMENT PARTS LIST	33
■ MECHANICAL EXPLODED VIEW	34
■ ELECTRICAL REPLACEMENT PARTS LIST	36
■ PACKING & ACCESSORY REPLACEMENT PARTS LIST	44

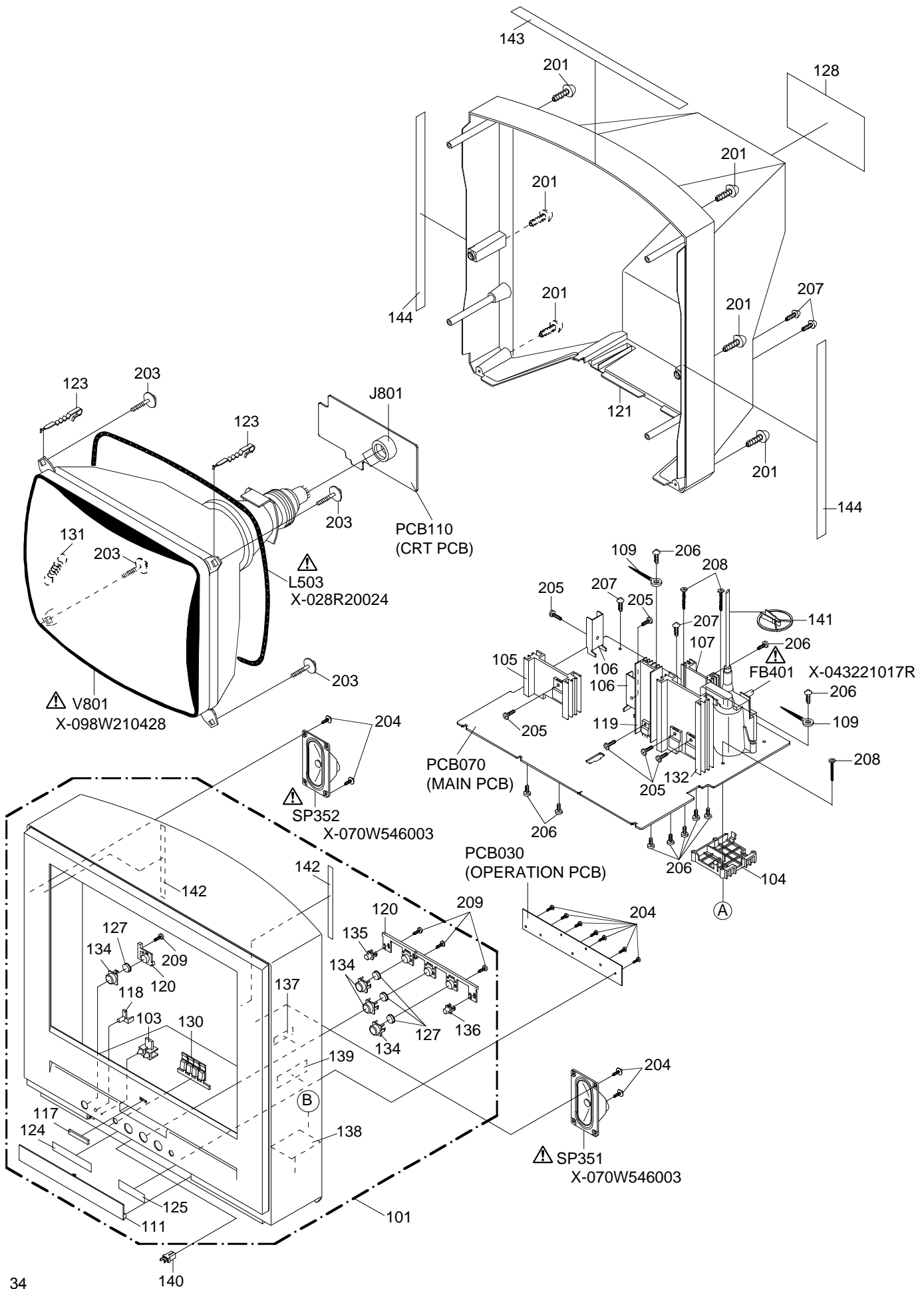
USING P.W. BOARD

	Model	
P.W.B ASS'Y		AV-20FD22
SYSCON PCB ASS'Y		X-A58701Q01A
OPERATION PCB ASS'Y		X-A58702Q03A
MAIN PCB ASS'Y		X-A58702Q07A
CRT PCB ASS'Y		X-A58702Q11A
AV PCB ASS'Y		X-A58702Q25A

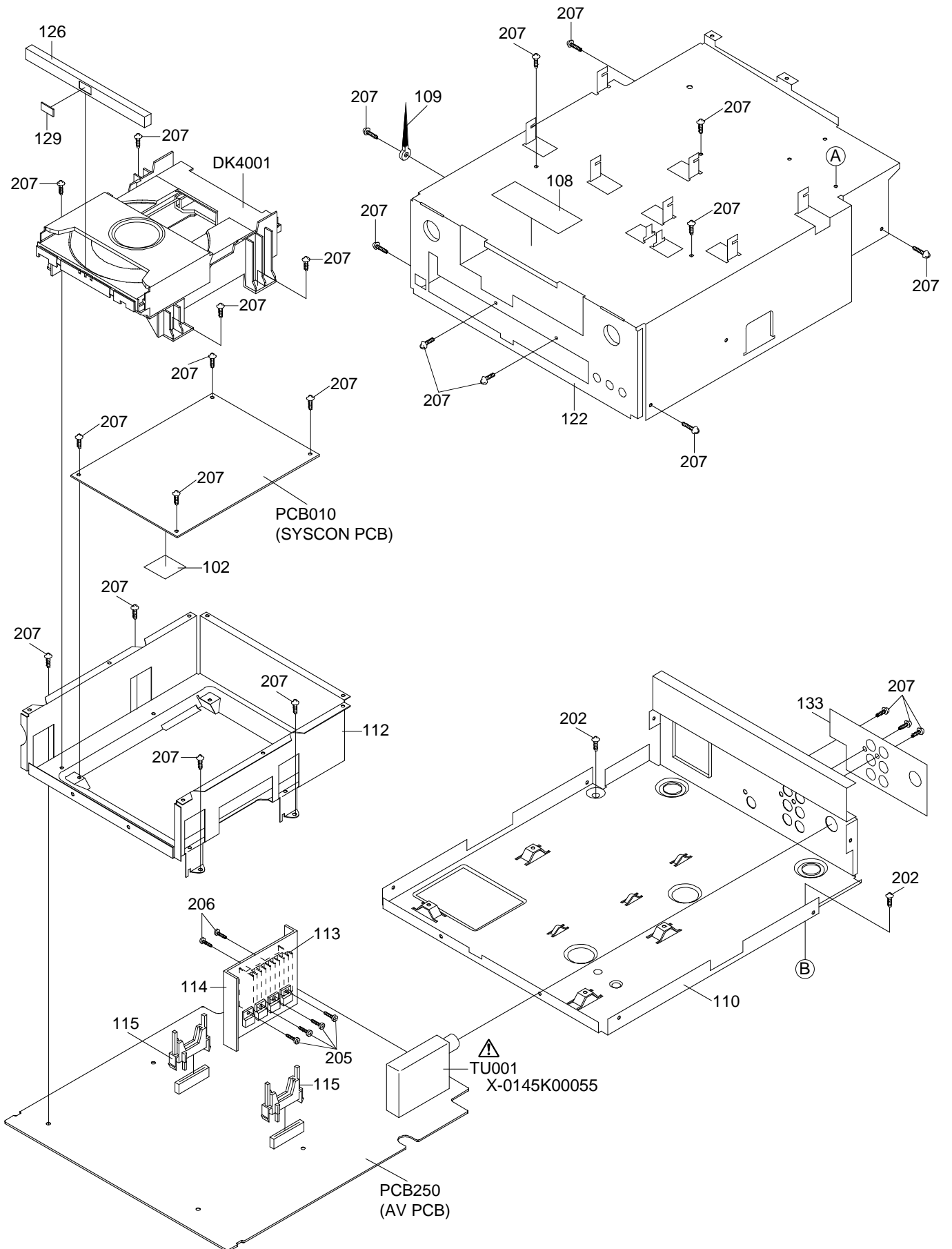
MECHANICAL REPLACEMENT PARTS LIST

REF. NO.	PART NO.	DESCRIPTION	REF. NO.	PART NO.	DESCRIPTION
101	X-A58702Q720	CABINET,FRONT ASSY	201	X-8117540A64	SCREW,TAPPING(B0) TRUSS 4x16
102	X-7230007172	SHEET,IC	202	X-8117540804	SCREW,TAPPING(B0) TRUSS 4x8
103	X-713WPA0144	GLASS,LED	203	X-8121J50B54	SCREW,TAPPING(B0) GW20 5x28
104	X-761WPA0223	HOLDER,FBT	204	X-8110630A04	SCREW,TAP TITE(P) BRAZIER 3x10
105	X-763WAA0174	HEAT SINK	205	X-8109I30A04	SCREW,TAP TITE(B) WH7 3x10
106	X-763WAA0017	HEAT SINK	206	X-8109630802	SCREW,TAP TITE(B) BRAZIER 3x8
107	X-763WAA0162	HEAT SINK	207	X-8109630604	SCREW,TAP TITE(B) BRAZIER 3x6
108	X-7260000332	SHEET,CAUTION	208	X-8107630B04	SCREW,TAP TITE(S) BRAZIER 3x20
109	X-8995034000	CORD CLIP UL CO.	209	X-8110630804	SCREW,TAP TITE(P) BRAZIER 3x8
110	X-702WSA0076	PLATE,BOTTOM	DK4001	X-169G00006A	DECK,CD DVD-KIT315SU
111	X-702WPA0807	DOOR			
112	X-761WSA0079	ANGLE,DECK			
113	X-763WAA0173	HEAT SINK			
114	X-763WAA0199	HEAT SINK			
115	X-769WPA0018	GUIDE,CONNECTOR(FFC)			
117	X-7235380003	BRAND,BADGE			
118	X-713WPA0145	GUIDE,REMOCON			
119	X-763WAA0222	HEAT SINK			
120	X-735WPD0732	BUTTON,FRAME			
121	X-702WPA0823	CABINET,BACK			
122	X-702WSA0075	SHIELD,TOP			
123	X-762WPA0011	HOLDER,CRT WIRE			
124	X-7230007285	SHEET,INDICATER			
125	X-7230007286	SHEET,INDICATER(JACK)			
126	X-712WPB0076	PLATE,TRAY-FRONT			
127	X-735WPA0516	BUTTON,CLEAR			
128	X-7225380007	SHEET,RATING			
129	X-7235630001	SHEET,DVD			
130	X-735WPA0543	BUTTON,CHANNEL			
131	X-741WUA0001	SPRING,EARTH			
132	X-763WAA0175	HEAT SINK			
133	X-7230007295	SHEET,JACK			
134	X-735WPE0011	BUTTON,COVER			
135	X-735WPE0014	BUTTON,CAP(STOP)			
136	X-735WPE0015	BUTTON,CAP(OPEN)			
137	X-7220001107	SHEET,HWC			
138	X-7220001119	SHEET,CSA WARNING			
139	X-7230006818	SHEET,CAUTION			
140	X-890LA20000	NC LATCH(LA-2)			
141	X-899HV3T000	HOLDER,ANODE WIRE			
142	X-800WQ00056	FELT SHEET			
143	X-800WQ00039	FELT SHEET			
144	X-800WQ00041	FELT SHEET			

MECHANICAL EXPLODED VIEW



MECHANICAL EXPLODED VIEW



ELECTRICAL REPLACEMENT PARTS LIST

REF. NO.	PART NO.	DESCRIPTION	REF. NO.	PART NO.	DESCRIPTION
RESISTORS			RESISTORS		
R003	X-R801R7101J	RC 100 OHM 1/10W	R219	X-R801R7560J	RC 56 OHM 1/10W
R004	X-R801R7101J	RC 100 OHM 1/10W	R220	X-R801R7101J	RC 100 OHM 1/10W
R005	X-R801R7153J	RC 15K OHM 1/10W	R221	X-R002T2101J	RC 100 OHM 1/2W
R006	X-R801R7124J	RC 120K OHM 1/10W	R222	X-R801R7471J	RC 470 OHM 1/10W
R101	X-R801R7103J	RC 10K OHM 1/10W	R226	X-R801R7102J	RC 1K OHM 1/10W
R103	X-R801R7103J	RC 10K OHM 1/10W	R227	X-R801R7181J	RC 180 OHM 1/10W
R104	X-R801R7103J	RC 10K OHM 1/10W	R228	X-R801R7000J	RC 0 OHM 1/10W
R108	X-R801R7394J	RC 390K OHM 1/10W	R301	X-R801R7332J	RC 3.3K OHM 1/10W
R109	X-R801R7472J	RC 4.7K OHM 1/10W	R302	X-R801R7683J	RC 68K OHM 1/10W
R110	X-R801R7472J	RC 4.7K OHM 1/10W	R303	X-R801R7332J	RC 3.3K OHM 1/10W
R114	X-R801R7472J	RC 4.7K OHM 1/10W	R304	X-R801R7103J	RC 10K OHM 1/10W
R115	X-R801R7472J	RC 4.7K OHM 1/10W	R306	X-R801R7103J	RC 10K OHM 1/10W
R120	X-R801R7472J	RC 4.7K OHM 1/10W	R308	X-R801R7472J	RC 4.7K OHM 1/10W
R123	X-R801R7103J	RC 10K OHM 1/10W	R309	X-R801R7472J	RC 4.7K OHM 1/10W
R125	X-R801R7103J	RC 10K OHM 1/10W	R310	X-R801R7182J	RC 1.8K OHM 1/10W
R126	X-R801R7472J	RC 4.7K OHM 1/10W	R312	X-R801R7182J	RC 1.8K OHM 1/10W
R129	X-R801R7103J	RC 10K OHM 1/10W	R313	X-R801R7102J	RC 1K OHM 1/10W
R130	X-R801R7472J	RC 4.7K OHM 1/10W	R314	X-R801R7101J	RC 100 OHM 1/10W
R132	X-R801R7103J	RC 10K OHM 1/10W	R315	X-R801R7101J	RC 100 OHM 1/10W
R133	X-R801R7821J	RC 820 OHM 1/10W	R317	X-R801R7822J	RC 8.2K OHM 1/10W
R134	X-R801R7102J	RC 1K OHM 1/10W	R318	X-R002T4101J	RC 100 OHM 1/4W
R135	X-R801R7821J	RC 820 OHM 1/10W	R319	X-R002T4101J	RC 100 OHM 1/4W
R136	X-R801R7102J	RC 1K OHM 1/10W	R320	X-R002T4104J	RC 100K OHM 1/4W
R138	X-R801R7152J	RC 1.5K OHM 1/10W	R321	X-R801R7101J	RC 100 OHM 1/10W
R140	X-R801R7101J	RC 100 OHM 1/10W	R322	X-R801R7101J	RC 100 OHM 1/10W
R141	X-R801R7472J	RC 4.7K OHM 1/10W	R323	X-R801R7473J	RC 47K OHM 1/10W
R142	X-R801R7472J	RC 4.7K OHM 1/10W	R324	X-R801R7822J	RC 8.2K OHM 1/10W
R143	X-R801R7101J	RC 100 OHM 1/10W	R325	X-R801R7102J	RC 1K OHM 1/10W
R144	X-R801R7472J	RC 4.7K OHM 1/10W	R326	X-R801R7101J	RC 100 OHM 1/10W
R145	X-R801R7472J	RC 4.7K OHM 1/10W	R337	X-R002T2101J	RC 100 OHM 1/2W
R147	X-R801R7101J	RC 100 OHM 1/10W	R342	X-R002T2101J	RC 100 OHM 1/2W
R148	X-R801R7102J	RC 1K OHM 1/10W	R346	X-R002T4104J	RC 100K OHM 1/4W
R149	X-R801R7102J	RC 1K OHM 1/10W	R401	X-R002T4223J	RC 22K OHM 1/4W
R151	X-R801R7331J	RC 330 OHM 1/10W	△ R402	X-R3X18AR56J	R,METAL OXIDE 0.56 OHM 2W
R152	X-R801R7103J	RC 10K OHM 1/10W	R403	X-R002T4104J	RC 100K OHM 1/4W
R153	X-R002T2221J	RC 220 OHM 1/2W	R404	X-R002T4221J	RC 220 OHM 1/4W
R154	X-R801R7222J	RC 2.2K OHM 1/10W	R408	X-R002T4472J	RC 4.7K OHM 1/4W
R157	X-R801R7102J	RC 1K OHM 1/10W	R409	X-R002T4473J	RC 47K OHM 1/4W
R159	X-R801R7333J	RC 33K OHM 1/10W	△ R410	X-R002T4562J	RC 5.6K OHM 1/4W
R160	X-R801R7222J	RC 2.2K OHM 1/10W	R411	X-R4X5T6103F	R,METAL 10K OHM 1/6W
R161	X-R801R7103J	RC 10K OHM 1/10W	R412	X-R002T4472J	RC 4.7K OHM 1/4W
R162	X-R801R7153J	RC 15K OHM 1/10W	R413	X-R4X5T6123F	R,METAL 12K OHM 1/6W
R163	X-R002T4391J	RC 390 OHM 1/4W	R414	X-R002T4331J	RC 330 OHM 1/4W
R165	X-R801R7103J	RC 10K OHM 1/10W	R415	X-R002T23R3J	RC 3.3 OHM 1/2W
R166	X-R002T2221J	RC 220 OHM 1/2W	R416	X-R002T4223J	RC 22K OHM 1/4W
R168	X-R4X5T6272F	R,METAL 2.7K OHM 1/6W	R417	X-R002T4102J	RC 1K OHM 1/4W
R169	X-R4X5T6103F	R,METAL 10K OHM 1/6W	△ R418	X-R002T22R2J	RC 2.2 OHM 1/2W
R170	X-R4X5T6103F	R,METAL 10K OHM 1/6W	R419	X-R002T2331J	RC 330 OHM 1/2W
R171	X-R4X5T6103F	R,METAL 10K OHM 1/6W	R420	X-R002T4822J	RC 8.2K OHM 1/4W
R172	X-R801R7271J	RC 270 OHM 1/10W	R421	X-R002T2102J	RC 1K OHM 1/2W
R174	X-R801R7101J	RC 100 OHM 1/10W	R422	X-R002T4103J	RC 10K OHM 1/4W
R176	X-R801R7101J	RC 100 OHM 1/10W	R423	X-R002T4822J	RC 8.2K OHM 1/4W
R178	X-R801R7472J	RC 4.7K OHM 1/10W	R424	X-R002T4103J	RC 10K OHM 1/4W
R179	X-R801R7103J	RC 10K OHM 1/10W	R425	X-R002T4182J	RC 1.8K OHM 1/4W
R180	X-R002T2391J	RC 390 OHM 1/2W	R426	X-R002T4103J	RC 10K OHM 1/4W
R182	X-R4X5T6272F	R,METAL 2.7K OHM 1/6W	R427	X-R002T4122J	RC 1.2K OHM 1/4W
R183	X-R4X5T6103F	R,METAL 10K OHM 1/6W	R428	X-R002T4102J	RC 1K OHM 1/4W
R184	X-R801R7271J	RC 270 OHM 1/10W	R429	X-R002T4331J	RC 330 OHM 1/4W
R185	X-R801R7103F	RC 10K OHM 1/10W	R430	X-R002T4122J	RC 1.2K OHM 1/4W
R186	X-R801R7103F	RC 10K OHM 1/10W	R431	X-R002T2331J	RC 330 OHM 1/2W
R187	X-R002T4220J	RC 22 OHM 1/4W	R432	X-R4X5T6102F	R,METAL 1K OHM 1/6W
R188	X-R801R7152J	RC 1.5K OHM 1/10W	△ R439	X-R4X5T4273F	R,METAL 27K OHM 1/4W
R189	X-R801R7561J	RC 560 OHM 1/10W	△ R441	X-R4X5T4104F	R,METAL 100K OHM 1/4W
R190	X-R002T4472J	RC 4.7K OHM 1/4W	△ R442	X-R4X5T4822F	R,METAL 8.2K OHM 1/4W
R203	X-R801R7391J	RC 390 OHM 1/10W	△ R443	X-R4X5T4102F	R,METAL 1K OHM 1/4W
R204	X-R801R7332J	RC 3.3K OHM 1/10W	△ R444	X-R4X5T4103F	R,METAL 10K OHM 1/4W
R205	X-R801R7103J	RC 10K OHM 1/10W	△ R447	X-R65582680J	R,FUSE 68 OHM 1/2W
R208	X-R801R7331J	RC 330 OHM 1/10W	△ R448	X-R3X181102J	R,METAL OXIDE 1K OHM 1W
R210	X-R801R7102J	RC 1K OHM 1/10W	△ R449	X-R5W1CE222J	R,CEMENT 2.2K OHM 7W
R211	X-R801R7222J	RC 2.2K OHM 1/10W	△ R450	X-R6358A4R7J	R,FUSE 4.7 OHM 2W
R212	X-R801R7472J	RC 4.7K OHM 1/10W	R453	X-R002T4683J	RC 68K OHM 1/4W
R213	X-R801R7682J	RC 6.8K OHM 1/10W	R456	X-R002T2472J	RC 4.7K OHM 1/2W
R214	X-R801R7222J	RC 2.2K OHM 1/10W	R460	X-R002T4101J	RC 100 OHM 1/4W
R215	X-R002T4122J	RC 1.2K OHM 1/4W	R461	X-R3X18A5R6J	R,METAL OXIDE 5.6 OHM 2W
R216	X-R002T4221J	RC 220 OHM 1/4W	R490	X-R002T4104J	RC 100K OHM 1/4W
R217	X-R801R7102J	RC 1K OHM 1/10W	△ R500	X-R21202275K	R,SOLID 2.7M OHM 1/2W
R218	X-R801R7391J	RC 390 OHM 1/10W	△ R501	X-R5W2CE1R2J	R,CEMENT 1.2 OHM 7W

ELECTRICAL REPLACEMENT PARTS LIST

REF. NO.	PART NO.	DESCRIPTION	REF. NO.	PART NO.	DESCRIPTION
RESISTORS			RESISTORS		
R503	X-R002T4332J	RC 3.3K OHM 1/4W	R755	X-R002T4272J	RC 2.7K OHM 1/4W
R504	X-R002T4471J	RC 470 OHM 1/4W	R755	X-R801R7821J	RC 820 OHM 1/10W
△ R505	X-R3X28B333J	R,METAL OXIDE 33K OHM 3W	R756	X-R002T4682J	RC 6.8K OHM 1/4W
R506	X-R002T4182J	RC 1.8K OHM 1/4W	R756	X-R801R7821J	RC 820 OHM 1/10W
R508	X-R002T4431J	RC 430 OHM 1/4W	R757	X-R002T4271J	RC 270 OHM 1/4W
△ R509	X-R65584010J	R,FUSE 1 OHM 1/4W	R757	X-R801R7681J	RC 680 OHM 1/10W
R511	X-R002T4102J	RC 1K OHM 1/4W	R759	X-R801R7470J	RC 47 OHM 1/10W
R514	X-R002T4681J	RC 680 OHM 1/4W	R760	X-R002T4102J	RC 1K OHM 1/4W
R515	X-R002T4103J	RC 10K OHM 1/4W	R761	X-R801R7102J	RC 1K OHM 1/10W
R518	X-R002T4103J	RC 10K OHM 1/4W	R762	X-R801R7101J	RC 100 OHM 1/10W
R519	X-R002T4103J	RC 10K OHM 1/4W	R763	X-R801R7222J	RC 2.2K OHM 1/10W
R520	X-R002T2563J	RC 56K OHM 1/2W	R773	X-R801R7682J	RC 6.8K OHM 1/10W
R521	X-R002T4562J	RC 5.6K OHM 1/4W	R775	X-R801R7821J	RC 820 OHM 1/10W
R523	X-R002T4103J	RC 10K OHM 1/4W	R801	X-R002T4105J	RC 1M OHM 1/4W
R524	X-R002T4100J	RC 10 OHM 1/4W	△ R802	X-R3X18A123J	R,METAL OXIDE 12K OHM 2W
R526	X-R002T4271J	RC 270 OHM 1/4W	R803	X-R002T4561J	RC 560 OHM 1/4W
R528	X-R002T2683J	RC 68K OHM 1/2W	R804	X-R002T4221J	RC 220 OHM 1/4W
△ R529	X-R412T4272F	R,METAL 2.7K OHM 1/4W	△ R805	X-R3X18A123J	R,METAL OXIDE 12K OHM 2W
R531	X-R002T2683J	RC 68K OHM 1/2W	R806	X-R002T4561J	RC 560 OHM 1/4W
R532	X-R002T4102J	RC 1K OHM 1/4W	R807	X-R002T4272J	RC 2.7K OHM 1/4W
R533	X-R002T4391J	RC 390 OHM 1/4W	R808	X-R002T4272J	RC 2.7K OHM 1/4W
R534	X-R002T4472J	RC 4.7K OHM 1/4W	R809	X-R002T4561J	RC 560 OHM 1/4W
R541	X-R002T4472J	RC 4.7K OHM 1/4W	△ R810	X-R3X18A123J	R,METAL OXIDE 12K OHM 2W
△ R542	X-R33681R15J	R,METAL 0.15OHM 1W	R811	X-R002T4331J	RC 330 OHM 1/4W
△ R543	X-R635U4681J	R,FUSE 680 OHM 1/4W	R812	X-R002T4331J	RC 330 OHM 1/4W
R553	X-R002T2393J	RC 39K OHM 1/2W	R813	X-R002T4331J	RC 330 OHM 1/4W
R554	X-R002T2223J	RC 22K OHM 1/2W	R814	X-R002T4182J	RC 1.8K OHM 1/4W
R601	X-R002T4221J	RC 220 OHM 1/4W	R815	X-R002T4182J	RC 1.8K OHM 1/4W
R605	X-R801R7333J	RC 33K OHM 1/10W	R816	X-R002T4182J	RC 1.8K OHM 1/4W
R606	X-R801R7222J	RC 2.2K OHM 1/10W	R817	X-R002T4221J	RC 220 OHM 1/4W
R607	X-R801R7101J	RC 100 OHM 1/10W	R818	X-R002T4221J	RC 220 OHM 1/4W
R608	X-R801R7101J	RC 100 OHM 1/10W	R820	X-R002T4272J	RC 2.7K OHM 1/4W
R609	X-R801R7101J	RC 100 OHM 1/10W	R908	X-R002T4471J	RC 470 OHM 1/4W
R610	X-R801R7223J	RC 22K OHM 1/10W	R909	X-R002T4471J	RC 470 OHM 1/4W
R611	X-R801R7184J	RC 180K OHM 1/10W	R910	X-R801R7224J	RC 220K OHM 1/10W
R612	X-R801R7272J	RC 2.7K OHM 1/10W	R911	X-R002T4101J	RC 100 OHM 1/4W
R613	X-R801R7272J	RC 2.7K OHM 1/10W	R912	X-R002T4101J	RC 100 OHM 1/4W
R614	X-R801R7272J	RC 2.7K OHM 1/10W	R913	X-R801R7275J	RC 2.7M OHM 1/10W
R615	X-R801R7223J	RC 22K OHM 1/10W	R1001	X-R803R9103J	RC 10K OHM 1/16W
R617	X-R801R7222J	RC 2.2K OHM 1/10W	R1002	X-R803R9472J	RC 4.7K OHM 1/16W
R618	X-R801R7102J	RC 1K OHM 1/10W	R1003	X-R803R9472J	RC 4.7K OHM 1/16W
R619	X-R801R7332J	RC 3.3K OHM 1/10W	R1004	X-R803R9472J	RC 4.7K OHM 1/16W
R620	X-R801R7471J	RC 470 OHM 1/10W	R1005	X-R803R9472J	RC 4.7K OHM 1/16W
R622	X-R801R7102J	RC 1K OHM 1/10W	R1006	X-R803R9103J	RC 10K OHM 1/16W
R623	X-R801R7222J	RC 2.2K OHM 1/10W	R1007	X-R803R9102J	RC 1K OHM 1/16W
R624	X-R002T4271J	RC 270 OHM 1/4W	R1008	X-R803R9472J	RC 4.7K OHM 1/16W
R625	X-R801R7102J	RC 1K OHM 1/10W	R1009	X-R803R9472J	RC 4.7K OHM 1/16W
R627	X-R801R7823J	RC 82K OHM 1/10W	R1010	X-R803R9472J	RC 4.7K OHM 1/16W
R628	X-R801R7824J	RC 820K OHM 1/10W	R1011	X-R803R9472J	RC 4.7K OHM 1/16W
R629	X-R801R7101J	RC 100 OHM 1/10W	R1012	X-R803R9102J	RC 1K OHM 1/16W
R630	X-R002T4103J	RC 10K OHM 1/4W	R1014	X-R803R9472J	RC 4.7K OHM 1/16W
R631	X-R801R7101J	RC 100 OHM 1/10W	R1015	X-R803R9472J	RC 4.7K OHM 1/16W
R634	X-R801R7154J	RC 150K OHM 1/10W	R1016	X-R803R9472J	RC 4.7K OHM 1/16W
R637	X-R801R7103J	RC 10K OHM 1/10W	R1017	X-R803R9472J	RC 4.7K OHM 1/16W
R638	X-R801R7222J	RC 2.2K OHM 1/10W	R1018	X-R803R9472J	RC 4.7K OHM 1/16W
R639	X-R801R7333J	RC 33K OHM 1/10W	R1019	X-R803R9100J	RC 10 OHM 1/16W
R640	X-R801R7155J	RC 1.5M OHM 1/10W	R1023	X-R803R9102J	RC 1K OHM 1/16W
R641	X-R002T2331J	RC 330 OHM 1/2W	R1024	X-R803R9102J	RC 1K OHM 1/16W
R701	X-R002T4271J	RC 270 OHM 1/4W	R1027	X-R803R9102J	RC 1K OHM 1/16W
R703	X-R801R7471J	RC 470 OHM 1/10W	R1028	X-R803R9102J	RC 1K OHM 1/16W
R706	X-R801R7101J	RC 100 OHM 1/10W	R1033	X-R803R9100J	RC 10 OHM 1/16W
R707	X-R801R7101J	RC 100 OHM 1/10W	R1034	X-R803R9472J	RC 4.7K OHM 1/16W
R708	X-R002T4101J	RC 100 OHM 1/4W	R4001	X-R803R92R2J	RC 2.2 OHM 1/16W
R709	X-R002T4101J	RC 100 OHM 1/4W	R4002	X-R803R9472J	RC 4.7K OHM 1/16W
R710	X-R801R7101J	RC 100 OHM 1/10W	R4003	X-R803R9472J	RC 4.7K OHM 1/16W
R711	X-R801R7101J	RC 100 OHM 1/10W	R4004	X-R803R9472J	RC 4.7K OHM 1/16W
R712	X-R801R7101J	RC 100 OHM 1/10W	R4005	X-R803R9181J	RC 180 OHM 1/16W
R713	X-R801R7101J	RC 100 OHM 1/10W	R4006	X-R803R9101J	RC 100 OHM 1/16W
R716	X-R801R7101J	RC 100 OHM 1/10W	R4007	X-R803R9181J	RC 180 OHM 1/16W
R751	X-R002T4821J	RC 820 OHM 1/4W	R4008	X-R803R9181J	RC 180 OHM 1/16W
R751	X-R801R7101J	RC 100 OHM 1/10W	R4009	X-R803R9181J	RC 180 OHM 1/16W
R752	X-R002T4102J	RC 1K OHM 1/4W	R4010	X-R803R9101J	RC 100 OHM 1/16W
R752	X-R002T4101J	RC 100 OHM 1/4W	R4011	X-R803R9472J	RC 4.7K OHM 1/16W
R753	X-R002T4560J	RC 56 OHM 1/4W	R4012	X-R803R9472J	RC 4.7K OHM 1/16W
R753	X-R801R7682J	RC 6.8K OHM 1/10W	R4013	X-R803R9181J	RC 180 OHM 1/16W
R754	X-R002T4152J	RC 1.5K OHM 1/4W	R4014	X-R803R9181J	RC 180 OHM 1/16W
R754	X-R801R7181J	RC 180 OHM 1/10W	R4015	X-R803R9181J	RC 180 OHM 1/16W

ELECTRICAL REPLACEMENT PARTS LIST

REF. NO.	PART NO.	DESCRIPTION	REF. NO.	PART NO.	DESCRIPTION
RESISTORS			RESISTORS		
R4016	X-R803R9181J	RC 180 OHM 1/16W	R8016	X-R801R7102J	RC 1K OHM 1/10W
R4017	X-R803R9181J	RC 180 OHM 1/16W	R8017	X-R002T4750J	RC 75 OHM 1/4W
R4018	X-R803R9181J	RC 180 OHM 1/16W	R8501	X-R803R9393J	RC 39K OHM 1/16W
R4020	X-R803R9472J	RC 4.7K OHM 1/16W	R8502	X-R803R9103J	RC 10K OHM 1/16W
R4021	X-R803R9105J	RC 1M OHM 1/16W	R8503	X-R803R9103J	RC 10K OHM 1/16W
R4023	X-R803R9103J	RC 10K OHM 1/16W	R8504	X-R803R9750F	RC 75 OHM 1/16W
R4024	X-R803R9102J	RC 1K OHM 1/16W	R8505	X-R803R9750F	RC 75 OHM 1/16W
R4025	X-R803R9101J	RC 100 OHM 1/16W	R8507	X-R803R9750F	RC 75 OHM 1/16W
R4027	X-R803R9101J	RC 100 OHM 1/16W	R8508	X-R803R9750F	RC 75 OHM 1/16W
R4028	X-R803R9101J	RC 100 OHM 1/16W	R8509	X-R803R9103J	RC 10K OHM 1/16W
R4029	X-R803R9101J	RC 100 OHM 1/16W	R8510	X-R803R9103J	RC 10K OHM 1/16W
R7001	X-R801R7103J	RC 10K OHM 1/10W	R8513	X-R803R9102J	RC 1K OHM 1/16W
R7002	X-R801R7103J	RC 10K OHM 1/10W	R8514	X-R803R9102J	RC 1K OHM 1/16W
R7003	X-R801R7471J	RC 470 OHM 1/10W	R8517	X-R803R9102J	RC 1K OHM 1/16W
R7004	X-R801R7102J	RC 1K OHM 1/10W	R8518	X-R803R9102J	RC 1K OHM 1/16W
R7005	X-R801R7100J	RC 10 OHM 1/10W	R8520	X-R803R9102J	RC 1K OHM 1/16W
R7006	X-R801R7471J	RC 470 OHM 1/10W	CAPACITORS		
R7007	X-R801R7474J	RC 470K OHM 1/10W	C001	X-P6M9W0223J	CMPL 0.022 UF 50V TF
R7008	X-R801R7103J	RC 10K OHM 1/10W	C002	X-E02LU0471M	CE 470 UF 6.3V
R7009	X-R801R7100J	RC 10 OHM 1/10W	C003	X-CS0RCH412J	CC 100 PF 50V CH
R7010	X-R801R7100J	RC 10 OHM 1/10W	C004	X-CS0RCH412J	CC 100 PF 50V CH
R7011	X-R801R7104J	RC 100K OHM 1/10W	C005	X-E50HU53R3M	CE 3.3 UF 50V
R7012	X-R801R7104J	RC 100K OHM 1/10W	C006	X-E50HU0470M	CE 47 UF 6.3V
R7013	X-R801R7103J	RC 10K OHM 1/10W	C101	X-E50HU0330M	CE 33 UF 6.3V
R7014	X-R801R7103J	RC 10K OHM 1/10W	C102	X-CS0RB0414K	CC 0.01 UF 50V B
R7015	X-R801R7103J	RC 10K OHM 1/10W	C103	X-E50HU0221M	CE 220 UF 6.3V
R7016	X-R801R7121J	RC 120 OHM 1/10W	C104	X-CS0RB0315K	CC 0.1 UF 25V B
R7018	X-R801R7102J	RC 1K OHM 1/10W	C107	X-CS0RB0315K	CC 0.1 UF 25V B
R7019	X-R801R7102J	RC 1K OHM 1/10W	C108	X-CS0RB0315K	CC 0.1 UF 25V B
R7020	X-R801R7103J	RC 10K OHM 1/10W	C109	X-CS0RB04H4K	CC 0.022 UF 50V B
R7021	X-R801R7560J	RC 56 OHM 1/10W	C111	X-CS0RCH4K2J	CC 270 PF 50V CH
R7023	X-R801R7103J	RC 10K OHM 1/10W	C117	X-CS0RB0414K	CC 0.01 UF 50V B
R7024	X-R801R7103J	RC 10K OHM 1/10W	C119	X-E50HU0101M	CE 100 UF 6.3V
R7025	X-R801R7222J	RC 2.2K OHM 1/10W	C123	X-CS0RCH4W2J	CC 820 PF 50V CH
R7026	X-R801R7222J	RC 2.2K OHM 1/10W	C124	X-CS0RF0415Z	CC 0.1 UF 50V F
R7027	X-R801R7103J	RC 10K OHM 1/10W	C127	X-CS0RB04W3K	CC 0.0082UF 50V B
R7028	X-R801R7123J	RC 12K OHM 1/10W	C128	X-CS0RB0414K	CC 0.01 UF 25V B
R7029	X-R801R7123J	RC 12K OHM 1/10W	C129	X-CS0RF0415Z	CC 0.1 UF 50V F
R7030	X-R801R7102J	RC 1K OHM 1/10W	C130	X-CS0RF0415Z	CC 0.1 UF 50V F
R7031	X-R801R7822J	RC 8.2K OHM 1/10W	C131	X-CS0RF0415Z	CC 0.1 UF 50V F
R7032	X-R801R7822J	RC 8.2K OHM 1/10W	C151	X-E50HU0220M	CE 22 UF 6.3V
R7033	X-R801R7102J	RC 1K OHM 1/10W	C152	X-E02LU1471M	CE 470 UF 10V
R7034	X-R801R7471J	RC 470 OHM 1/10W	C153	X-E02LT0102M	CE 1000 UF 6.3V
R7035	X-R801R7471J	RC 470 OHM 1/10W	C154	X-E02LU1471M	CE 470 UF 10V
R7036	X-R801R7103J	RC 10K OHM 1/10W	C155	X-E02LT0102M	CE 1000 UF 6.3V
R7037	X-R801R7103J	RC 10K OHM 1/10W	C156	X-E50HU0221M	CE 220 UF 6.3V
R7038	X-R801R7332J	RC 3.3K OHM 1/10W	C157	X-E02LU1471M	CE 470 UF 10V
R7039	X-R801R7102J	RC 1K OHM 1/10W	C158	X-E50HU0470M	CE 47 UF 6.3V
R7040	X-R801R7102J	RC 1K OHM 1/10W	C159	X-E50HU0221M	CE 220 UF 6.3V
R7041	X-R002T4121J	RC 120 OHM 1/4W	C160	X-E02LT0102M	CE 1000 UF 6.3V
R7042	X-R801R7121J	RC 120 OHM 1/10W	C161	X-E02LT2102M	CE 1000 UF 16V
R7043	X-R801R7103J	RC 10K OHM 1/10W	C162	X-CS0RCH412J	CC 100 PF 50V CH
R7046	X-R801R7223J	RC 22K OHM 1/10W	C163	X-E02LT2471M	CE 470 UF 16V
R7047	X-R801R7101J	RC 100 OHM 1/10W	C164	X-E02LT0102M	CE 1000 UF 6.3V
R7048	X-R801R7123J	RC 12K OHM 1/10W	C165	X-E50HU54R7M	CE 4.7 UF 50V
R7049	X-R002T2331J	RC 330 OHM 1/2W	C167	X-E50HU0220M	CE 22 UF 6.3V
R7050	X-R002T4680J	RC 68 OHM 1/4W	C169	X-E50HU54R7M	CE 4.7 UF 50V
R7051	X-R002T4101J	RC 100 OHM 1/4W	C170	X-E02LT0102M	CE 1000 UF 6.3V
R7052	X-R002T4101J	RC 100 OHM 1/4W	C201	X-CS0RB0414K	CC 0.01 UF 50V B
R7053	X-R002T2221J	RC 220 OHM 1/2W	C202	X-CS0RB0314K	CC 0.01 UF 25V B
R7054	X-R801R7102J	RC 1K OHM 1/10W	C203	X-CS0RB04H3K	CC 0.0022UF 50V B
R7055	X-R002T4102J	RC 1K OHM 1/4W	C204	X-CS0RB0414K	CC 0.01 UF 50V B
R7056	X-R801R7124J	RC 120K OHM 1/10W	C205	X-E02LU1101M	CE 100 UF 10V
R7057	X-R801R7184J	RC 180K OHM 1/10W	C206	X-CS0RB0413K	CC 0.001 UF 50V B
R7058	X-R801R7124J	RC 120K OHM 1/10W	C207	X-E50HU2100M	CE 10 UF 16V
R7059	X-R801R7184J	RC 180K OHM 1/10W	C208	X-CS0RB0414K	CC 0.01 UF 50V B
R7060	X-R801R7222J	RC 2.2K OHM 1/10W	C209	X-E50HU5R22M	CE 0.22 UF 50 V
R7061	X-R002T4750J	RC 75 OHM 1/4W	C210	X-E02LU2101M	CE 100 UF 16V
R7062	X-R801R7222J	RC 2.2K OHM 1/10W	C213	X-E50HU2100M	CE 10 UF 16V
R8008	X-R002T2221J	RC 220 OHM 1/2W	C214	X-CS0RB0315K	CC 0.1 UF 25V B
R8009	X-R801R7222J	RC 2.2K OHM 1/10W	C215	X-CS0RCH4L1J	CC 33 PF 50V CH
R8010	X-R801R7222J	RC 2.2K OHM 1/10W	C218	X-CS0RB0414K	CC 0.01 UF 50V B
R8011	X-R801R7124J	RC 120K OHM 1/10W	C219	X-E50HU2100M	CE 10 UF 16V
R8012	X-R801R7184J	RC 180K OHM 1/10W	C220	X-CS0RB0414K	CC 0.01 UF 50V B
R8013	X-R801R7124J	RC 120K OHM 1/10W	C221	X-E50HU5R47M	CE 0.47 UF 50V
R8014	X-R801R7184J	RC 180K OHM 1/10W	C222	X-CS0RB0414K	CC 0.01 UF 50V B
R8015	X-R801R7102J	RC 1K OHM 1/10W	C226	X-CS0RB0315K	CC 0.1 UF 25V B

ELECTRICAL REPLACEMENT PARTS LIST

REF. NO.	PART NO.	DESCRIPTION	REF. NO.	PART NO.	DESCRIPTION
CAPACITORS			CAPACITORS		
C227	X-E02LU2470M	CE 47 UF 16V	C510	X-E5E2T5470M	CE 47 UF 50V
C301	X-E02LU2101M	CE 100 UF 16V	C512	X-C0JTB05H2K	CC 220 PF 500V B
C302	X-E50HU52R2M	CE 2.2 UF 50V	C514	X-C0JLYR7E3K	CC 0.0015UF 2KV YR
C303	X-E02LU2470M	CE 47 UF 16V	C515	X-C0JTB04K2K	CC 270 PF 50V B
C304	X-CS0RB0315K	CC 0.1 UF 25V B	C516	X-C0JTB05Q2K	CC 470 PF 500V B
C305	X-E02LU2101M	CE 100 UF 16V	C517	X-C0JLYR7E3K	CC 0.0015UF 2KV YR
C307	X-CS0RB0414K	CC 0.01 UF 50V B	C518	X-C0JLYR7U2K	CC 680 PF 2KV YR
C308	X-E02LU5100M	CE 10 UF 50V	C519	X-C0JTB05Q2K	CC 470 PF 500V B
C309	X-E50HU52R2M	CE 2.2 UF 50V	△ C520	X-E02LU2222M	CE 2200 UF 16V
C311	X-CS0RB04L4K	CC 0.033 UF 50V B	△ C521	X-E62NFC221M	CE 220 UF 200V
C312	X-E02LU3330M	CE 33 UF 25V	△ C523	X-E02LF3222M	CE 2200 UF 25V
C313	X-E02LU03102M	CE 1000 UF 25V	△ C524	X-E02LU2470M	CE 47 UF 16V
C314	X-CS0RB04L4K	CC 0.033 UF 50V B	C525	X-P1S3T0223J	CP 0.022 UF 50V
C315	X-CS0RB04H4K	CC 0.022 UF 50V B	C526	X-E50HU2100M	CE 10 UF 16V
C316	X-CS0RB04H4K	CC 0.022 UF 50V B	C527	X-C0JTB05Q2K	CC 470 PF 500V B
C317	X-CS0RB02Q5K	CC 0.47 UF 16V B	C528	X-E02LT2102M	CE 1000 UF 16V
C318	X-CS0RB02Q5K	CC 0.47 UF 16V B	△ C529	X-C034F0JL3M	CC 0.0033UF 125V MX
C319	X-E50HU52R2M	CE 2.2 UF 50V	△ C531	X-E62FT2471M	CE 470 UF 16V
C320	X-P232T0104J	CMPL 0.1 UF 50V MMTV	C534	X-E02LT0102M	CE 1000 UF 6.3V
C321	X-CS0RCH412J	CC 100 PF 50V CH	△ C535	X-E62DFB470M	CE 47 UF 160V
C322	X-CS0RB0413K	CC 0.001 UF 50V B	C537	X-E02LU5010M	CE 1 UF 50V
C323	X-CS0RB0315K	CC 0.1 UF 25V B	△ C538	X-E5E2TB4R7M	CE 4.7 UF 160V
C324	X-CS0RCH412J	CC 100 PF 50V CH	C554	X-P1S3T0222J	CP 0.0022UF 50V
C325	X-E02LU2470M	CE 47 UF 16V	C603	X-CS0RB03H5K	CC 0.22 UF 25V B
C326	X-CS0RB04H4K	CC 0.022 UF 50V B	C604	X-CS0RF0415Z	CC 0.1 UF 50V F
C327	X-E50HU52R2M	CE 2.2 UF 50V	C605	X-CS0RCH411D	CC 10 PF 50V CH
C328	X-E50HU54R7M	CE 4.7 UF 50V	C606	X-CS0RB04H3K	CC 0.0022UF 50V B
C337	X-CS0RB0216K	CC 1 UF 16V B	C607	X-E50HU5010M	CE 1 UF 50V
C340	X-CS0RB0216K	CC 1 UF 16V B	C608	X-E50HU5010M	CE 1 UF 50V
C346	X-E50HU52R2M	CE 2.2 UF 50V	C609	X-E50HU5R22M	CE 0.22 UF 50 V
C347	X-E50HU52R2M	CE 2.2 UF 50V	C610	X-CS0RB04H4K	CC 0.022 UF 50V B
C348	X-CS0RB0414K	CC 0.01 UF 50V B	C611	X-CS0RB0413K	CC 0.001 UF 50V B
C349	X-CS0RB04Q2K	CC 470 PF 50V B	C612	X-CS0RB0414K	CC 0.01 UF 50V B
C350	X-CS0RB04Q2K	CC 470 PF 50V B	C613	X-CS0RF0415Z	CC 0.1 UF 50V F
C351	X-CS0RB04Q2K	CC 470 PF 50V B	C614	X-E02LU0471M	CE 470 UF 6.3V
C352	X-CS0RB04Q2K	CC 470 PF 50V B	C616	X-CS0RF0415Z	CC 0.1 UF 50V F
C353	X-CS0RB04Q2K	CC 470 PF 50V B	C617	X-CS0RB0315K	CC 0.1 UF 25V B
C354	X-CS0RB04H3K	CC 0.0022UF 50V B	C618	X-E50HU5010M	CE 1 UF 50V
C355	X-CS0RB04H3K	CC 0.0022UF 50V B	C619	X-CS0RB0315K	CC 0.1 UF 25V B
C401	X-E5E2T8100M	CE 10 UF 100V	C620	X-E02LU1101M	CE 100 UF 10V
C402	X-C0JTB0413K	CC 0.001 UF 50V B	C621	X-E50HU5R47M	CE 0.47 UF 50V
C403	X-E02LU5100M	CE 10 UF 50V	C622	X-CS0RB0315K	CC 0.1 UF 25V B
C404	X-E5E2T54R7M	CE 4.7 UF 50V	C624	X-CS0RB0315K	CC 0.1 UF 25V B
C405	X-E5E2T53R3M	CE 3.3 UF 50V	C625	X-E50HU52R2M	CE 2.2 UF 50V
C406	X-E5E2T4101M	CE 100 UF 35V	C626	X-CS0RB0315K	CC 0.1 UF 25V B
△ C407	X-E5EZF3222M	CE 2200 UF 25V	C628	X-CS0RB04W3K	CC 0.0082UF 50V B
C409	X-P1S3T0222J	CP 0.0022UF 50V	C629	X-CS0RB0414K	CC 0.01 UF 50V B
C412	X-C0JTSLS51K	CC 56 PF 500V SL	C630	X-E50HU1101M	CE 100 UF 10 V
C413	X-C0JTB0513K	CC 0.001 UF 500V B	C631	X-CS0RB0315K	CC 0.1 UF 25V B
C414	X-E5E2T2471M	CE 470 UF 16V	C632	X-CS0RCH412J	CC 100 PF 50V CH
C416	X-C0JTSLSH1J	CC 22 PF 500V SL	C634	X-E02LU2470M	CE 47 UF 16V
C417	X-C0JTB05H3K	CC 0.0022UF 500V B	C635	X-CS0RB0315K	CC 0.1 UF 25V B
C418	X-E5E2TB010M	CE 1 UF 160V	C636	X-CS0RB0414K	CC 0.01 UF 50V B
C419	X-E5E2T2471M	CE 470 UF 16V	C639	X-E00NU54R7M	CE 4.7 UF 50 V
△ C421	X-E5E204102M	CE 1000 UF 35V	C641	X-E50HU52R2M	CE 2.2 UF 50V
C422	X-E5E2TD010M	CE 1 UF 250V	C642	X-CS0RF0415Z	CC 0.1 UF 50V F
C423	X-P4J7F3474J	CMPP 0.47 UF 250V PMS	C701	X-E50HU2220M	CE 22 UF 16 V
△ C424	X-C0JLYR7U2K	CC 680 PF 2KV YR	C703	X-CS0RB0315K	CC 0.1 UF 25V B
△ C426	X-P4N8FJ472H	CMPP 0.0047UF 1.25KV	C704	X-E50HU52R2M	CE 2.2 UF 50V
△ C427	X-P4N8FJ822H	CMPP 0.0082UF 1.25KV	C705	X-E50HU52R2M	CE 2.2 UF 50V
△ C428	X-P3N1F5473J	CPP 0.047 UF 630V	C706	X-E50HU2101M	CE 100 UF 16 V
C429	X-C0JTB05Q2K	CC 470 PF 500V B	C707	X-CS0RB0414K	CC 0.01 UF 50V B
C430	X-C0JTB05Q2K	CC 470 PF 500V B	C714	X-CS0RB0315K	CC 0.1 UF 25V B
△ C431	X-E5E2TD100M	CE 10 UF 250V	C715	X-E50HU52R2M	CE 2.2 UF 50V
C432	X-P235W1104J	CMP 0.1 UF 100V MKT	C716	X-E50HU52R2M	CE 2.2 UF 50V
△ C433	X-E5E2T8220M	CE 22 UF 100V	C717	X-E50HU52R2M	CE 2.2 UF 50V
C442	X-E53FF56R8K	CE 6.8 UF 50V NP	C718	X-E50HU52R2M	CE 2.2 UF 50V
C450	X-C0JLYR713K	CC 0.001 UF 2KV YR	C719	X-CS0RB0315K	CC 0.1 UF 25V B
C501	X-C0JTB05Q2K	CC 470 PF 500V B	C728	X-CS0RB0315K	CC 0.1 UF 25V B
△ C502	X-C13HB07H3K	CC 0.0022UF 2KV B	C729	X-E50HU52R2M	CE 2.2 UF 50V
△ C503	X-C13HB07H3K	CC 0.0022UF 2KV B	C730	X-E50HU52R2M	CE 2.2 UF 50V
△ C504	X-E02LT1102M	CE 1000 UF 10V	C751	X-E50HU2470M	CE 47 UF 16V
△ C505	X-P2472B224M	CMP 0.22UF 275V PHE840	C751	X-E50HU0221M	CE 220 UF 6.3V
△ C506	X-P2472B224M	CMP 0.22UF 275V PHE840	C752	X-CS0RB0414K	CC 0.01 UF 50V B
△ C507	X-E51SFC821M	CE 820 UF 200V	C755	X-CS0RB0414K	CC 0.01 UF 50V B
△ C508	X-C034E0JH3M	CC 0.0022UF 125V MX	C756	X-CS0RCH4S1J	CC 56 PF 50V CH
C509	X-P1S3T0273J	CP 0.027 UF 50V	C758	X-CS0RCH4K1J	CC 27 PF 50V CH

ELECTRICAL REPLACEMENT PARTS LIST

REF. NO.	PART NO.	DESCRIPTION	REF. NO.	PART NO.	DESCRIPTION
CAPACITORS			CAPACITORS		
C759	X-CS0RB0414K	CC 0.01 UF 50V B	C7002	X-CS0RB04Q2K	CC 470 PF 50V B
C760	X-CS0RB0414K	CC 0.01 UF 50V B	C7003	X-E02L02471M	CE 470 UF 16V
C762	X-CS0RCH4Q1J	CC 47 PF 50V CH	C7004	X-E50HU0470M	CE 47 UF 6.3V
C763	X-CS0RB0414K	CC 0.01 UF 50V B	C7005	X-CS0RB04H4K	CC 0.022 UF 50V B
C764	X-CS0RB0414K	CC 0.01 UF 50V B	C7006	X-E50HU52R2M	CE 2.2 UF 50V
C765	X-E50HU5R47M	CE 0.47 UF 50V	C7007	X-E50HU52R2M	CE 2.2 UF 50V
C766	X-CS0RCH4H1J	CC 22 PF 50V CH	C7008	X-E50HU54R7M	CE 4.7 UF 50V
C768	X-CS0RB0414K	CC 0.01 UF 50V B	C7009	X-CS0RCH412J	CC 100 PF 50V CH
C769	X-CS0RB0414K	CC 0.01 UF 50V B	C7010	X-CS0RCH4W2J	CC 820 PF 50V CH
C770	X-CS0RB0315K	CC 0.1 UF 25V B	C7011	X-E50HU54R7M	CE 4.7 UF 50V
C771	X-CS0RCH4S1J	CC 56 PF 50V CH	C7012	X-CS0RCH4W2J	CC 820 PF 50V CH
C773	X-CS0RCH4G2J	CC 180 PF 50V CH	C7013	X-E50HU2100M	CE 10 UF 16V
C774	X-CS0RCH412J	CC 100 PF 50V CH	C7014	X-E50HU1330M	CE 33 UF 10 V
C775	X-E50HU0221M	CE 220 UF 6.3V	C7015	X-CS0RB0315K	CC 0.1 UF 25V B
C779	X-CS0RB0315K	CC 0.1 UF 25V B	C7016	X-CS0RB0315K	CC 0.1 UF 25V B
C783	X-E50HU52R2M	CE 2.2 UF 50V	C7017	X-E02L02471M	CE 470 UF 16V
C785	X-E02LU0221M	CE 220 UF 6.3V	C7019	X-E50HU54R7M	CE 4.7 UF 50V
C786	X-CS0RB0414K	CC 0.01 UF 50V B	C7020	X-CS0RCH4E3J	CC 0.0015UF 50V CH
C790	X-CS0RB0315K	CC 0.1 UF 25V B	C7022	X-CS0RCH4E3J	CC 0.0015UF 50V CH
C793	X-CS0RB0315K	CC 0.1 UF 25V B	C7024	X-CS0RCH412J	CC 100 PF 50V CH
C803	X-E02LTD010M	CE 1 UF 250V	C7025	X-CS0RCH412J	CC 100 PF 50V CH
C809	X-CHGTB04N2K	CC 390 PF 50V B	C7026	X-CS0RCH412J	CC 100 PF 50V CH
C810	X-CHGTB04K2K	CC 270 PF 50V B	C7029	X-E50HU52R2M	CE 2.2 UF 50V
C811	X-CHGTB04K2K	CC 270 PF 50V B	C7030	X-E50HU52R2M	CE 2.2 UF 50V
C819	X-C0HBB07H3K	CC 0.0022UF 2KV B	C7031	X-E50HU2220M	CE 22 UF 16 V
C907	X-E50HU54R7M	CE 4.7 UF 50V	C7032	X-E50HU2220M	CE 22 UF 16 V
C920	X-CS0RB0315K	CC 0.1 UF 25V B	C7033	X-CS0RCH4H2J	CC 220 PF 50V CH
C921	X-E50HU54R7M	CE 4.7 UF 50V	C7034	X-E50HU54R7M	CE 4.7 UF 50V
C922	X-CS0RB0315K	CC 0.1 UF 25V B	C7037	X-CS0RB04Q2K	CC 470 PF 50V B
C923	X-CS0RB0315K	CC 0.1 UF 25V B	C7038	X-CS0RF0415Z	CC 0.1 UF 50V F
C924	X-CS0RB0315K	CC 0.1 UF 25V B	C7039	X-CS0RB04Q2K	CC 470 PF 50V B
C925	X-E50HU54R7M	CE 4.7 UF 50V	C7040	X-E02LT0102M	CE 1000 UF 6.3V
C926	X-E50HU54R7M	CE 4.7 UF 50V	C7041	X-E02LU2101M	CE 100 UF 16V
C928	X-E02LU5100M	CE 10 UF 50V	C7042	X-E50HU2100M	CE 10 UF 16V
C929	X-CS0RB0315K	CC 0.1 UF 25V B	C7043	X-E50HU2100M	CE 10 UF 16V
C931	X-E02LU1101M	CE 100 UF 10V	C7044	X-E02LU5100M	CE 10 UF 50V
C932	X-E50HU5R33M	CE 0.33 UF 50 V	C7045	X-CS0RB04H3K	CC 0.0022UF 50V B
C933	X-CS0RB04Q4K	CC 0.047 UF 50V B	C7046	X-E02LU5100M	CE 10 UF 50V
C934	X-CS0RB04H4K	CC 0.022 UF 50V B	C7047	X-CS0RB04H3K	CC 0.0022UF 50V B
C935	X-CS0RB0315K	CC 0.1 UF 25V B	C7048	X-E02LU2470M	CE 47 UF 16V
C936	X-E02LU53R3M	CE 3.3 UF 50V	C7049	X-CS0RCH412J	CC 100 PF 50V CH
C937	X-CS0RB0315K	CC 0.1 UF 25V B	C7050	X-E50HU2100M	CE 10 UF 16V
C938	X-CS0RB0315K	CC 0.1 UF 25V B	C7051	X-E50HU2100M	CE 10 UF 16V
C939	X-CS0RB0315K	CC 0.1 UF 25V B	C7052	X-E50HU2100M	CE 10 UF 16V
C1001	X-CS0PF0315Z	CC 0.1 UF 25V F	C7053	X-E02LU2101M	CE 100 UF 16V
C1002	X-CS0PCH4G1J	CC 18 PF 50V CH	C8006	X-E02LU2470M	CE 47 UF 16V
C1003	X-CS0PCH4G1J	CC 18 PF 50V CH	C8007	X-E02LU5100M	CE 10 UF 50V
C1004	X-E50HU0221M	CE 220 UF 6.3V	C8008	X-E02LU5100M	CE 10 UF 50V
C1005	X-CS0PF0315Z	CC 0.1 UF 25V F	C8009	X-CS0RB04H4K	CC 0.022 UF 50V B
C1006	X-CS0PF0315Z	CC 0.1 UF 25V F	C8010	X-CS0RB04H4K	CC 0.022 UF 50V B
C1007	X-E50HU0221M	CE 220 UF 6.3V	C8501	X-CS0PF0315Z	CC 0.1 UF 25V F
C1008	X-CS0PF0315Z	CC 0.1 UF 25V F	C8502	X-CS0PF0315Z	CC 0.1 UF 25V F
C1009	X-CS0PF0315Z	CC 0.1 UF 25V F	C8503	X-E50HU0220M	CE 22 UF 6.3V
C1010	X-CS0PF0315Z	CC 0.1 UF 25V F	C8504	X-CS0PF0315Z	CC 0.1 UF 25V F
C1011	X-CS0PF0315Z	CC 0.1 UF 25V F	C8505	X-E50HU0220M	CE 22 UF 6.3V
C1014	X-CS0PF0315Z	CC 0.1 UF 25V F	C8506	X-CS0PF0315Z	CC 0.1 UF 25V F
C4001	X-CS0PF0315Z	CC 0.1 UF 25V F	C8507	X-CS0PF0315Z	CC 0.1 UF 25V F
C4002	X-CS0PF0315Z	CC 0.1 UF 25V F	C8508	X-CS0PF0315Z	CC 0.1 UF 25V F
C4003	X-CS0PF0315Z	CC 0.1 UF 25V F	C8509	X-E50HU0221M	CE 220 UF 6.3V
C4004	X-CS0PF0315Z	CC 0.1 UF 25V F	C8510	X-CS0PF0315Z	CC 0.1 UF 25V F
C4005	X-CS0PF0315Z	CC 0.1 UF 25V F	C8511	X-CS0PF0315Z	CC 0.1 UF 25V F
C4006	X-CS0PF0315Z	CC 0.1 UF 25V F	C8512	X-CS0PF0315Z	CC 0.1 UF 25V F
C4007	X-CS0PB0413K	CC 0.001 UF 50V B	C8514	X-E50HU0221M	CE 220 UF 6.3V
C4008	X-E50HU0221M	CE 220 UF 6.3V	C8515	X-CS0PF0315Z	CC 0.1 UF 25V F
C4009	X-CS0PB02Q4K	CC 0.047 UF 16V B	C8517	X-CS0PCH4H1J	CC 22 PF 50V CH
C4010	X-CS0PF0315Z	CC 0.1 UF 25V F	C8519	X-CS0PCH4K2J	CC 270 PF 50V CH
C4011	X-CS0PF0315Z	CC 0.1 UF 25V F	C8521	X-CS0PCH4L2J	CC 330 PF 50V CH
C4014	X-CS0PF0315Z	CC 0.1 UF 25V F	C8523	X-E50HU0470M	CE 47 UF 6.3V
C4015	X-CS0PF0315Z	CC 0.1 UF 25V F	C8524	X-CS0PF0315Z	CC 0.1 UF 25V F
C4016	X-CS0PF0315Z	CC 0.1 UF 25V F	C8525	X-CS0PCH4H1J	CC 22 PF 50V CH
C4017	X-E50HU0221M	CE 220 UF 6.3V	C8526	X-CS0PCH4H1J	CC 22 PF 50V CH
C4018	X-CS0PF0315Z	CC 0.1 UF 25V F	C8527	X-CS0PCH4K2J	CC 270 PF 50V CH
C4019	X-CS0PF0315Z	CC 0.1 UF 25V F	C8528	X-CS0PCH4E2J	CC 150 PF 50V CH
C4020	X-E50HU0470M	CE 47 UF 6.3V	C8529	X-CS0PCH4L2J	CC 330 PF 50V CH
C4024	X-E50HU0470M	CE 47 UF 6.3V	C8530	X-CS0PCH4H2J	CC 220 PF 50V CH
C4025	X-CS0PF0315Z	CC 0.1 UF 25V F	C8532	X-E50HU0470M	CE 47 UF 6.3V
C7001	X-CS0RB04Q2K	CC 470 PF 50V B	C8533	X-E50HU0220M	CE 22 UF 6.3V

ELECTRICAL REPLACEMENT PARTS LIST

REF. NO.	PART NO.	DESCRIPTION	REF. NO.	PART NO.	DESCRIPTION
CAPACITORS			ICS		
C8534	X-E50HU0470M	CE 47 UF 6.3V	IC101	X-I55D06063A	IC OEC6063A
C8535	X-CS0PF0315Z	CC 0.1 UF 25V F	IC102	X-I9UJ0T600C	IC PST600C
C8536	X-E50HU0220M	CE 22 UF 6.3V	△ IC152	X-I1KA97805A	IC KIA7805API
C8537	X-E50HU0220M	CE 22 UF 6.3V	△ IC153	X-I1KA97809A	IC KIA7809API
C8538	X-CS0PF0315Z	CC 0.1 UF 25V F	△ IC154	X-I1KA97805A	IC KIA7805API
C8539	X-E50HU0220M	CE 22 UF 6.3V	IC199	X-A58702B255	IC S-24C08ADPA-01
*****			IC301	X-I06F062420	IC M62420FP
D101	X-D1VT001330	DIODE,SILICON 1SS133T-77	△ IC302	X-I0FSP75220	IC AN7522
D104	X-D97U05R11B	DIODE,ZENER MTZJ5.1B T-77	△ IC401	X-I01TD55220	IC AN5522
D150	X-D1VT001330	DIODE,SILICON 1SS133T-77	△ IC501	X-I2BT06624G	IC STR-G6624
D151	X-D1VT001330	DIODE,SILICON 1SS133T-77	△ IC503	X-I1KA97805A	IC KIA7805API
D152	X-D1VT001330	DIODE,SILICON 1SS133T-77	IC601	X-I05DC12530	IC TB1253N
D155	X-D1VT001330	DIODE,SILICON 1SS133T-77	IC602	X-I03E071510	IC LA7151M-TP-T1
D159	X-D23TSB0400	DIODE,SILICON SB040-G3	IC701	X-I0UD013110	IC MM1311AD
D202	X-D1VT001330	DIODE,SILICON 1SS133T-77	IC751	X-I05DE90A45	IC TC90A45P
D401	X-D28T11E1N1	DIODE,SILICON 11E1N-TA1B2	IC902	X-I01FF58290	IC AN5829S
D402	X-D28T21DQN9	DIODE SCHOTTKY 21DQ09N-TA2B1	IC1001	X-ICQF067030	IC ZR36703
D405	X-D28X10ELS6	DIODE,RECTIFIER 10ELS6-TA2B5	IC1006	X-I57F04C01W	IC BR24C01AF-WE2
△ D407	X-DCBFMV3FU0	DIODE FMV-3FULF027-102	IC4001	X-ICQF067100	IC MD36710X
△ D408	X-D97U02701B	DIODE,ZENER MTZJ27B T-77	IC4002	X-I01J0610DB	IC HY57V161610DTC-8
△ D409	X-D97U01101B	DIODE,ZENER MTZJ11B T-77	IC4004	X-I5CF040520	IC SN74LV4052APW
D410	X-D97U05R61B	DIODE,ZENER MTZJ5.6B T-77	IC7001	X-I0QF045800	IC NJM4580M
△ D411	X-D2LTPG06J0	DIODE,SILICON RMPG06J-G3	IC7002	X-I5CF040530	IC CD4053BNSR
△ D412	X-D2WTAU02A0	DIODE,SILICON AU02A-EIC	IC8501	X-I5VF0865A0	IC BT865AKRF
△ D413	X-D2LTPG06J0	DIODE,SILICON RMPG06J-G3	IC8503	X-I17F017160	IC PCM1716E
△ D501	X-D4LZBL06L0	DIODE GBL06L-6177	IC8504	X-I5CF040520	IC SN74LV4052APW
△ D503	X-D2WXRU2AM0	DIODE,SILICON RU2AM-EIC	*****		
△ D504	X-D28T21DQN9	DIODE SCHOTTKY 21DQ09N-TA2B1	Q103	X-T8YJ2412K0	TRANSISTOR,SILICON 2SC2412KT146 R,S
△ D505	X-D28T21DQN9	DIODE SCHOTTKY 21DQ09N-TA2B1	Q105	X-T8YJ2412K0	TRANSISTOR,SILICON 2SC2412KT146 R,S
D506	X-D2LTPG06J0	DIODE,SILICON RMPG06J-G3	Q109	X-T8YJ2412K0	TRANSISTOR,SILICON 2SC2412KT146 R,S
D507	X-D2WXS1400	DIODE SCHOTTKY SB140-EIC	△ Q150	X-TD3T012460	TRANSISTOR,SILICON 2SD1246(S,T)-AA
△ D508	X-D28T21DQN9	DIODE SCHOTTKY 21DQ09N-TA2B1	Q151	X-TB3T011310	TRANSISTOR,SILICON 2SB1131(S,T)-AE
△ D509	X-D28T21DQN9	DIODE SCHOTTKY 21DQ09N-TA2B1	Q152	X-TNAAJ05003	COMPOUND TRANSISTOR KRC111RTK
△ D510	X-D2WXRU2AM0	DIODE,SILICON RU2AM-EIC	Q153	X-TB3T011310	TRANSISTOR,SILICON 2SB1131(S,T)-AE
△ D511	X-D28TELS2N2	DIODE RECTIFIER 10ELS2N-TA1B2	△ Q154	X-TB30011430	TRANSISTOR,SILICON 2SB1143(S,T,U)
△ D512	X-D28T21DQN9	DIODE SCHOTTKY 21DQ09N-TA2B1	Q155	X-T8YJ2412K0	TRANSISTOR,SILICON 2SC2412KT146 R,S
D514	X-D23TSB0400	DIODE,SILICON SB040-G3	Q156	X-T8YJ2412K0	TRANSISTOR,SILICON 2SC2412KT146 R,S
D515	X-D97U03001B	DIODE,ZENER MTZJ30B T-77	Q157	X-TB3T011310	TRANSISTOR,SILICON 2SB1131(S,T)-AE
D516	X-D1VT001330	DIODE,SILICON 1SS133T-77	Q158	X-TAAT012714	TRANSISTOR,SILICON KTA1271_Y-AT
D517	X-D1VT001330	DIODE,SILICON 1SS133T-77	Q159	X-T8YJ2412K0	TRANSISTOR,SILICON 2SC2412KT146 R,S
D518	X-D1VT001330	DIODE,SILICON 1SS133T-77	Q160	X-T8YJ2412K0	TRANSISTOR,SILICON 2SC2412KT146 R,S
△ D519	X-D28TELS2N2	DIODE RECTIFIER 10ELS2N-TA1B2	Q202	X-T87A02412K	TRANSISTOR,SILICON 2SC2412KT147(R,S)
D521	X-D1VT001330	DIODE,SILICON 1SS133T-77	Q203	X-T8YJ2412K0	TRANSISTOR,SILICON 2SC2412KT146 R,S
D527	X-D1VT001330	DIODE,SILICON 1SS133T-77	Q204	X-T8YJ2412K0	TRANSISTOR,SILICON 2SC2412KT146 R,S
D528	X-D97U05R61B	DIODE,ZENER MTZJ5.6B T-77	Q205	X-T83A028140	TRANSISTOR,SILICON 2SC2814(F3,F4)-T
△ D533	X-D28T21DQN9	DIODE SCHOTTKY 21DQ09N-TA2B1	Q301	X-T8YJ2412K0	TRANSISTOR,SILICON 2SC2412KT146 R,S
D534	X-D97U01001B	DIODE,ZENER MTZJ10B T-77	Q303	X-T8YJ2412K0	TRANSISTOR,SILICON 2SC2412KT146 R,S
△ D536	X-D2WXN40050	DIODE,SILICON 1N4005-EIC	Q304	X-T8YJ2412K0	TRANSISTOR,SILICON 2SC2412KT146 R,S
D603	X-D1VT001330	DIODE,SILICON 1SS133T-77	△ Q401	X-TA3T016240	TRANSISTOR,SILICON 2SA1624-AA
D604	X-D1VT001330	DIODE,SILICON 1SS133T-77	Q402	X-TNATJ03003	COMPOUND TRANSISTOR KRC111MAT
D605	X-D1VT001330	DIODE,SILICON 1SS133T-77	Q403	X-TNATJ03003	COMPOUND TRANSISTOR KRC111MAT
D606	X-D97U06R81B	DIODE,ZENER MTZJ6.8B T-77	Q404	X-TAATA12660	TRANSISTOR,SILICON KTA1266-AT(Y,GR)
D607	X-D97U06R81B	DIODE,ZENER MTZJ6.8B T-77	△ Q405	X-TC3Q026210	TRANSISTOR,SILICON 2SC2621(D,E)-RAC
D608	X-D97U06R81B	DIODE,ZENER MTZJ6.8B T-77	△ Q406	X-TDUU024990	TRANSISTOR,SILICON 2SD2499(LBOEC1)
D612	X-D2WT11ES10	DIODE,SILICON 11ES1-EIC	Q407	X-TAATA12660	TRANSISTOR,SILICON KTA1266-AT(Y,GR)
D613	X-D1VT001330	DIODE,SILICON 1SS133T-77	Q408	X-TAATA12660	TRANSISTOR,SILICON KTA1266-AT(Y,GR)
D614	X-D1VT001330	DIODE,SILICON 1SS133T-77	Q409	X-TD30016670	TRANSISTOR,SILICON 2SD1667(R,S)
D615	X-D1VT001330	DIODE,SILICON 1SS133T-77	Q410	X-TNATJ03003	COMPOUND TRANSISTOR KRC111MAT
D751	X-0021721150	LED SLR-342VCT32	Q501	X-TAAT012714	TRANSISTOR,SILICON KTA1271_Y-AT
D805	X-D1VT001330	DIODE,SILICON 1SS133T-77	Q502	X-TCATC31980	TRANSISTOR,SILICON KTC3198-AT(Y,GR)
D806	X-D1VT001330	DIODE,SILICON 1SS133T-77	△ Q503	X-TCWQ4160E0	TRANSISTOR,SILICON 2SC4160-OEC-YAC1
D807	X-D1VT001330	DIODE,SILICON 1SS133T-77	Q504	X-TCATC31980	TRANSISTOR,SILICON KTC3198-AT(Y,GR)
D1002	X-DD7R0S3550	DIODE,SILICON 1SS355 TE-17	△ Q505	X-0002E00610	PHOTO COUPLER LTV-817M-VB
D1003	X-DD7R0S3550	DIODE,SILICON 1SS355 TE-17	Q507	X-TCATC31980	TRANSISTOR,SILICON KTC3198-AT(Y,GR)
D1004	X-DD7R0S3550	DIODE,SILICON 1SS355 TE-17	Q508	X-TD3T012460	TRANSISTOR,SILICON 2SD1246(S,T)-AA
D7005	X-D1VT001330	DIODE,SILICON 1SS133T-77	△ Q509	X-TA5T010130	TRANSISTOR,SILICON 2SA1013 (TPE6)
D7006	X-D1VT001330	DIODE,SILICON 1SS133T-77	△ Q510	X-TC3T029090	TRANSISTOR,SILICON 2SC2909(S,T)-AA
D7010	X-D1VT001330	DIODE,SILICON 1SS133T-77	△ Q511	X-TB30011430	TRANSISTOR,SILICON 2SB1143(S,T,U)
D7011	X-D1VT001330	DIODE,SILICON 1SS133T-77	Q603	X-T87A02412K	TRANSISTOR,SILICON 2SC2412KT147(R,S)
D7013	X-D1VT001330	DIODE,SILICON 1SS133T-77	Q604	X-T8YJ2412K0	TRANSISTOR,SILICON 2SC2412KT146 R,S
D8501	X-DD7R0S3550	DIODE,SILICON 1SS355 TE-17	Q608	X-T8YJ2412K0	TRANSISTOR,SILICON 2SC2412KT146 R,S
D8502	X-DD7R0S3550	DIODE,SILICON 1SS355 TE-17	Q702	X-T8YJ2412K0	TRANSISTOR,SILICON 2SC2412KT146 R,S
D8505	X-DD7R0S3550	DIODE,SILICON 1SS355 TE-17	Q751	X-TNATX05001	COMPOUND TRANSISTOR KRC114MAT
D8506	X-DD7R0S3550	DIODE,SILICON 1SS355 TE-17	Q751	X-T8YJ2412K0	TRANSISTOR,SILICON 2SC2412KT146 R,S
D8507	X-DD7R0S3550	DIODE,SILICON 1SS355 TE-17	Q752	X-T6YJ1037K0	TRANSISTOR,SILICON 2SA1037AKT146R,S
D8508	X-DD7R0S3550	DIODE,SILICON 1SS355 TE-17	Q753	X-T6YJ1037K0	TRANSISTOR,SILICON 2SA1037AKT146R,S
			Q754	X-T87A02412K	TRANSISTOR,SILICON 2SC2412KT147(R,S)

ELECTRICAL REPLACEMENT PARTS LIST

REF. NO.	PART NO.	DESCRIPTION	REF. NO.	PART NO.	DESCRIPTION
TRANSISTORS			JACKS		
△ Q804	X-TC3Q026210	TRANSISTOR,SILICON 2SC2621(D,E)-RAC	J8002	X-060Q421022	RCA JACK AV1-15DS-4
△ Q805	X-TC3Q026210	TRANSISTOR,SILICON 2SC2621(D,E)-RAC	J8003	X-060Q421021	RCA JACK AV1-15DS-3
△ Q806	X-TC3Q026210	TRANSISTOR,SILICON 2SC2621(D,E)-RAC	SWITCHES		
△ Q807	X-TCYT1740S0	TRANSISTOR,SILICON 2SC1740SP TP	SW117	X-0504201T31	SWITCH,TACT SKHVBED010
△ Q808	X-TCYT1740S0	TRANSISTOR,SILICON 2SC1740SP TP	SW118	X-0504201T31	SWITCH,TACT SKHVBED010
△ Q809	X-TCYT1740S0	TRANSISTOR,SILICON 2SC1740SP TP	SW119	X-0504201T31	SWITCH,TACT SKHVBED010
Q7001	X-T8YJ2412K0	TRANSISTOR,SILICON 2SC2412KT146 R,S	SW120	X-0504201T31	SWITCH,TACT SKHVBED010
Q7002	X-T6YJ1037K0	TRANSISTOR,SILICON 2SA1037AKT146R,S	SW751	X-0504201T31	SWITCH,TACT SKHVBED010
Q7003	X-T8YJ2412K0	TRANSISTOR,SILICON 2SC2412KT146 R,S	SW752	X-0504201T31	SWITCH,TACT SKHVBED010
Q7004	X-T8YJ2412K0	TRANSISTOR,SILICON 2SC2412KT146 R,S	SW753	X-0504201T31	SWITCH,TACT SKHVBED010
Q7005	X-TPYJB05001	COMPOUND TRANSISTOF DTA114EKAT146	SW754	X-0504201T31	SWITCH,TACT SKHVBED010
Q7006	X-T8YJ2412K0	TRANSISTOR,SILICON 2SC2412KT146 R,S	SW755	X-0504201T31	SWITCH,TACT SKHVBED010
Q7007	X-T8YJ2412K0	TRANSISTOR,SILICON 2SC2412KT146 R,S	SW756	X-0504201T31	SWITCH,TACT SKHVBED010
Q7008	X-T8YJ2412K0	TRANSISTOR,SILICON 2SC2412KT146 R,S	VARIABLE RESISTORS		
Q7009	X-TNAAC05002	COMPOUND TRANSISTOF KRC103RTK	VR502	X-V1163Q2BTC	VOLUME,SEMI FIXED EVNCYAA03BQ2
Q7010	X-TPYJA05001	COMPOUND TRANSISTOF DTA143EKAT146	MISCELLANEOUS		
Q7011	X-T8YJ2412K0	TRANSISTOR,SILICON 2SC2412KT146 R,S	B301	X-024HT03564	CORE,BEADS W4BRH3.5X6X1
Q7012	X-T8YJ2412K0	TRANSISTOR,SILICON 2SC2412KT146 R,S	B502	X-024HT03553	CORE,BEADS W5RH3.5X5X1.0
Q7013	X-TNAAC05002	COMPOUND TRANSISTOF KRC103RTK	B504	X-024HT03553	CORE,BEADS W5RH3.5X5X1.0
Q7014	X-T8YJ2412K0	TRANSISTOR,SILICON 2SC2412KT146 R,S	B505	X-024HT03553	CORE,BEADS W5RH3.5X5X1.0
Q7015	X-TAATA12660	TRANSISTOR,SILICON KTA1266-AT(Y,GR)	B1001	X-024XC36002	CORE,BEADS N20122P600T25
Q7016	X-T8YJ2412K0	TRANSISTOR,SILICON 2SC2412KT146 R,S	B4001	X-024XC36002	CORE,BEADS N20122P600T25
Q7017	X-TNYJD05001	COMPOUND TRANSISTOF DTC144EKAT146	B4002	X-024XC36002	CORE,BEADS N20122P600T25
Q8002	X-T8YJ2412K0	TRANSISTOR,SILICON 2SC2412KT146 R,S	B7001	X-024HT03564	CORE,BEADS W4BRH3.5X6X1
Q8003	X-T8YJ2412K0	TRANSISTOR,SILICON 2SC2412KT146 R,S	B7003	X-024HT03564	CORE,BEADS W4BRH3.5X6X1
Q8501	X-T8YJ2412K0	TRANSISTOR,SILICON 2SC2412KT146 R,S	B7004	X-024HT03564	CORE,BEADS W4BRH3.5X6X1
COILS & TRANSFORMERS			B8501	X-024XC36002	CORE,BEADS N20122P600T25
L001	X-02167F101J	COIL 100 UH	B8502	X-024XC36002	CORE,BEADS N20122P600T25
L201	X-021LA6180K	COIL 18 UH	B8503	X-024XC36002	CORE,BEADS N20122P600T25
L202	X-02167F101J	COIL 100 UH	B8505	X-024XC36002	CORE,BEADS N20122P600T25
L203	X-02167F101J	COIL 100 UH	BT001	X-141L003010	BATTERY,MANGAN R6P(AR)XICI
L204	X-021LA6R22M	COIL 0.22 UH	BT002	X-141L003010	BATTERY,MANGAN R6P(AR)XICI
L207	X-021LA6R56M	COIL 0.56 UH	CD301	X-06CU123801	CORD CONNECTOR CU123801
L302	X-02167F101J	COIL 100 UH	CD302	X-06CU123801	CORD CONNECTOR CU123801
L303	X-02167F101J	COIL 100 UH	CD401	X-06CU013201	CORD CONNECTOR CU013201
L401	X-021679472K	COIL 4.7 MH	CD402	X-06CU010901	CORD CONNECTOR CU010901
L402	X-022100027A	COIL,LINEARITY ELH5L4113	CD403	X-06CU013501	CORD CONNECTOR CU013501
L403	X-02D1000001	COIL ELC16B501EN	△ CD501	X-1207414907	CORD AC BUSH 07414907
△ L501	X-029X000098	COIL,LINE FILTER SS28H-20075	CD502	X-06CH01408A	CORD EIS CONNECTOR CH01408A
L502	X-02AHB9A972	CORE,FERRITE W5T29X7.5X19	CD751	X-122S062101	CORD JUMPER 2S062101
△ L503	X-028R200024	COIL,DEGAUSS 8R200024	CD801	X-06CP83035A	CORD CONNECTOR CP83035A
L601	X-02167F101J	COIL 100 UH	CD803	X-122Y054501	CORD JUMPER 2Y054501
L602	X-02167F101J	COIL 100 UH	CD810	X-122E0B3501	CORD JUMPER 2E0B3501
L603	X-02167F101J	COIL 100 UH	CD811	X-06CU264201	CORD CONNECTOR CU264201
L701	X-02167F101J	COIL 100 UH	CD820	X-122Y0C3501	CORD JUMPER 2Y0C3501
L751	X-02167F101J	COIL 100 UH	CD850	X-122Y056801	CORD JUMPER 2Y056801
L752	X-021LA6150K	COIL 15 UH	CF201	X-1011T4R517	FILTER,CERAMIC EFCT4R5MW5
L753	X-021LA6150K	COIL 15 UH	CF202	X-1011T4R504	FILTER,CERAMIC EFC74R5YS5A
L755	X-02167F101J	COIL 100 UH	CF203	X-1022T45R72	FILTER,SAW SAF45MFY220ZR
L758	X-02167F101J	COIL 100 UH	CF204	X-1012T04702	FILTER,CERAMIC TRAP MKT47.3MC110P-TF
L801	X-02AHB9A972	CORE,FERRITE W5T29X7.5X19	CP101	X-069J260650	CONNECTOR PCB SIDE TKC-M06X-A1
L802	X-02167D151K	COIL 150 UH	CP104	X-069J760029	CONNECTOR PCB SIDE IMSA-9604S-06Z14
L802	X-02AHB9A972	CORE,FERRITE W5T29X7.5X19	CP301	X-069W120029	CONNECTOR PCB SIDE TID-X02P-M1
L803	X-02167D151K	COIL 150 UH	CP302	X-069W120029	CONNECTOR PCB SIDE TID-X02P-M1
L803	X-02AHB9A972	CORE,FERRITE W5T29X7.5X or	CP401	X-069X460029	CONNECTOR PCB SIDE B06B-DVS
	X-02AXB9A971	CORE,FERRITE ESD-R-30SD or	CP403	X-069W01001A	CONNECTOR PCB SIDE 003P-2100
	X-02A1281872	CORE,TRIDAL KR16TT281807D	△ CP502	X-069W420029	CONNECTOR PCB SIDE TV-50P-02-A1
L804	X-02167D151K	COIL 150 UH	CP506	X-069W01001A	CONNECTOR PCB SIDE 003P-2100
L810	X-02AHB9A972	CORE,FERRITE W5T29X7.5X19	CP507	X-069W01001A	CONNECTOR PCB SIDE 003P-2100
L811	X-02AHB9A972	CORE,FERRITE W5T29X7.5X19	CP751	X-069J760019	CONNECTOR PCB SIDE IMSA-9604S-06Z13
L902	X-02167F101J	COIL 100 UH	CP801	X-069W330018	CONNECTOR PCB SIDE TS-80P-03-V1
L7001	X-02167D472K	COIL 4.7 MH	CP807	X-069W010010	CONNECTOR PCB SIDE 005P-2100
L7002	X-021LA6101K	COIL 100 UH	CP811	X-069S260629	CONNECTOR PCB SIDE A2001VV2-6P
L7003	X-02167F101J	COIL 100 UH	CD4001	X-122S0Q0901	CORD JUMPER 2S0Q0901
L7004	X-02167F101J	COIL 100 UH	CD4002	X-122S0G0901	CORD JUMPER 2S0G0901
L8501	X-02167B1R8K	COIL 1.8 UH	CD8001	X-122S0I0101	CORD JUMPER 2S0I0101
L8503	X-02167B1R8K	COIL 1.8 UH	CD8002	X-122S0I0101	CORD JUMPER 2S0I0101
L8504	X-02167B1R8K	COIL 1.8 UH	CP4001	X-069JVQ0180	CONNECTOR PCB SIDE IMSA-9615S-26C-P
T401	X-045013001J	TRANS,HORIZONTAL DRIV 5013001	CP4002	X-069JVQ0180	CONNECTOR PCB SIDE IMSA-9615S-16C-P
△ T501	X-0481420624	TRANSFORMER,SWITCHII 81420624	CP8001	X-0694290139	CONNECTOR PCB SIDE 173979-9
JACKS			CP8002	X-069J710029	CONNECTOR PCB SIDE IMSA-9604S-18Z14
△ J301	X-0602131011	HEADPHONE JACK HSJ2000-01-010			
△ J801	X-066C130017	SOCKET,CATHODE RAY T CVT3275-5101			
J7001	X-060Q401038	RCA JACK YKC21-3895			
J7002	X-060Q411015	RCA JACK AV3-19D-1			
J7003	X-060Q431018	RCA JACK AV3-19DS-1			
J8001	X-060Q421019	RCA JACK AV1-15DS-2			

ELECTRICAL REPLACEMENT PARTS LIST

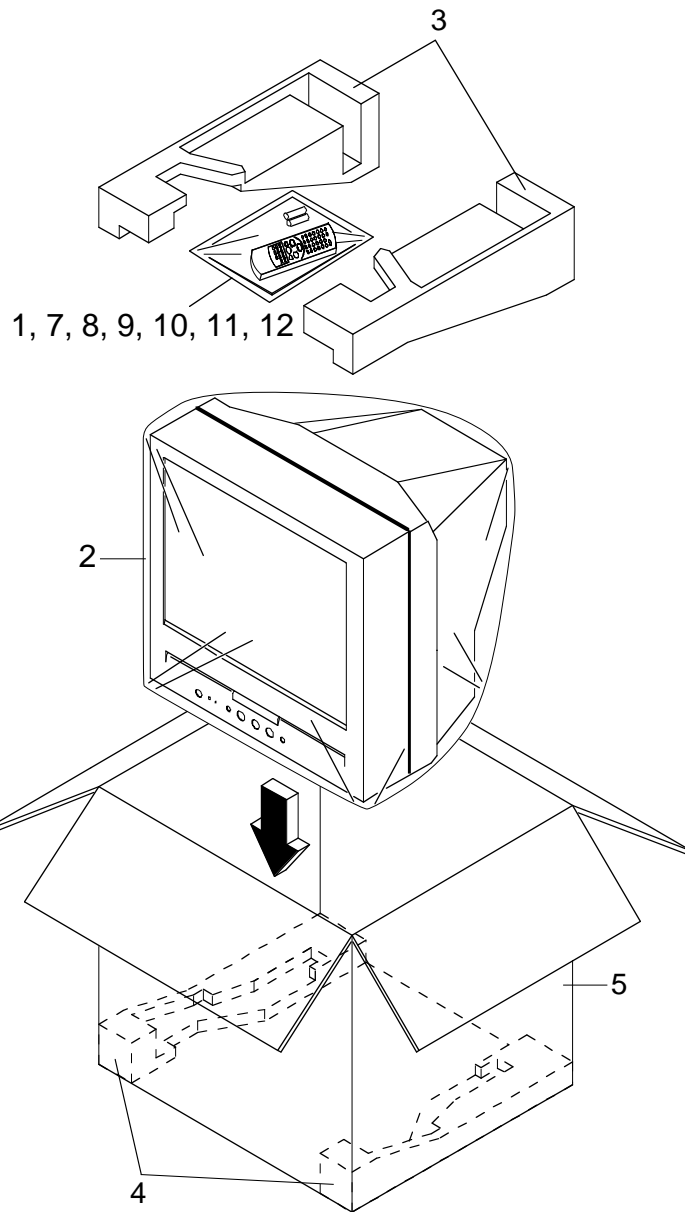
REF. NO.	PART NO.	DESCRIPTION
MISCELLANEOUS		
CP8001	X-069J710029	CONNECTOR PCB SIDE IMSA-9604S-18Z14
CP8004	X-067R011019	WIRE HOLDER 51048-1110
CP8004	X-067R012019	WIRE HOLDER 51048-1210
CP8004	X-067R005019	WIRE HOLDER 51048-0510
CP8031	X-067R105019	WIRE HOLDER 51052-0500
CP8031	X-067R105019	WIRE HOLDER 51052-0500
CP8101	X-069R2B0589	CONNECTOR PCB SIDE 52147-1110
CP8201	X-069R2C0589	CONNECTOR PCB SIDE 52147-1210
CP8501	X-069J710029	CONNECTOR PCB SIDE IMSA-9604S-18Z14
CP8502	X-069J710029	CONNECTOR PCB SIDE IMSA-9604S-18Z14
CP8501	X-069R250589	CONNECTOR PCB SIDE 52147-0510
EL001	X-124116281A	EYE LET XRY16X28BD
EL002	X-124120301A	EYE LET XRY20X30BD
△ F501	X-081PC6R304	FUSE 51MS063LCC
△ F502	X-081PC2R504	FUSE 51MS025LCC
△ FB401	X-043221017R	TRANSFORMER,FLYBACK 3221017R
FH501	X-06710T0006	HOLDER,FUSE EYF-52BC
FH502	X-06710T0006	HOLDER,FUSE EYF-52BC
FH503	X-06710T0006	HOLDER,FUSE EYF-52BC
FH504	X-06710T0006	HOLDER,FUSE EYF-52BC
△ ICP501	X-0835C04003	MICRO FUSE 20N_4000FS
△ ICP502	X-0835C04003	MICRO FUSE 20N_4000FS
△ ICP504	X-0835C04003	MICRO FUSE 20N_4000FS
OS751	X-077Q000019	REMOTE RECEIVER PIC-28143TC5
△ RY501	X-0560V20115	RELAY ALKS321
△ SP351	X-070W546003	SPEAKER MSF-18D5SB05-02
△ SP352	X-070W546003	SPEAKER MSF-18D5SB05-02
△ TH501	X-DF5EL3R0A0	DEGAUSS ELEMENT ZPB45BL3R0A
△ TU001	X-0145K00055 TECC1040PG32D
△ V801	X-098W210428	CRT W/DY A51LSH196X10(O)
X101	X-1002T01606	CERAMIC OSCILLATOR CSTLS16M0X53-A0
X601	X-100CT3R505	CRYSTAL HC-49/C
X1001	X-100CT01210	CRYSTAL HC-49/U
X4001	X-100DA02706	CRYSTAL AT-49

RESISTOR

RC..... CARBON RESISTOR

CAPACITORS

CC..... CERAMIC CAPACITOR
 CE..... ALUMI ELECTROLYTIC CAPACITOR
 CP..... POLYESTER CAPACITOR
 CPP..... POLYPROPYLENE CAPACITOR
 CPL..... PLASTIC CAPACITOR
 CMP..... METAL POLYESTER CAPACITOR
 CMPL..... METAL PLASTIC CAPACITOR
 CMPP..... METAL POLYPROPYLENE CAPACITOR



ACCESSORY REPLACEMENT PARTS LIST

REF. NO	PART NO.	DESCRIPTION
1	RM-C394G	TRANSMITTER
2	X-791WHA0085	LAMIFILM,BAG
3	X-792WHA0315	PACKAGE, TOP
4	X-792WHA0316	PACKAGE, BOTTOM
5	X-793WCD1340	GIFT BOX
6	X-A58702R975	INSTRUCTION BOOK KIT
7	X-JB5KD500	POLYBAG
8	X-J5500112	GUARANTEE CARD
9	X-J5500115	SERVICE STATION LIST
10	X-J5500117	REGISTRATION CARD
11	X-J5501202	GUARANTEE CARD
12	X-J5870201	INSTRUCTION BOOK